

Zendow



Zendow

Thanks to its perfect design and aesthetics, Zendow System is easily compatible with the style of your place. The system has been considered for compatibility to the finest detail in mind.

With more than 100 products choice within the Zendow System, provides you most effective solutions in specific details.

Your window changes style thoroughly.

Zendow System is compatible with all other systems and applications such as parallel sliding.

Folded doors, pivot, outward opening, etc. are also applicable.

Various glass thicknesses can be used in the Zendow System. There are 11 different glass thickness options available in the system. (20 mm, 24 mm, 28-29 mm, 4-5 mm, 12 mm etc.)

Zendow System, in terms of color, has benefited from Deceuninck's substantial experience and therefore provides solutions that are pleasing to all tastes.



Basic (MX) Colours				Solex (FX) Colours			
Cherry	Golden Oak	Walnut	Hazelnut	Golden Oak	Hazelnut	Maccoe	Bronze Platinum
Antracite Grey	Cream	Dark Oak	Black Cherry	Azul	Pyrite	Black Cherry	Ash Black
Vison	Antique Oak	Winchester	Winchester Oak	Grey Aluminium	Silver	Asphalt	Antracite Grey



Perfect Life's Window

*An investment that pays you and the environment back;
Zendow!*



01.2013



deceuninck

Zendow

Zendow System has been Designed for Perfection and High Performance.



Prioritizing simplicity and aesthetics, Zendow System harmonizes perfectly with your place's architecture as well as its decoration. The warm and soft lines bear the traces of both classical and modern styles.

Zendow System adds value to your place and increases your comfort and ease. It has been designed bearing in mind perfect insulation, maximum acoustic and safety features, it provides a unique protection that keeps all places healthy and suitable for weather conditions.

Excellent Insulation

Zendow System has a perfect performance in terms of heat insulation with its 5 chamber design and its width of 70 mm. Heat transmission coefficient (Uf) of the system, has been determined as 1,4 -1,5 W / m2K as a result of the tests carried out by IFT Rosenheim.

Acoustic Perfection

In today's noisy living spaces, acoustic insulation of places is significantly important. Zendow System accommodates double walled gaskets that provide better acoustic insulation compared to hand-laid seals. Moreover, PVC's existing insulation features and the multi layered structure of Zendow System, transforms even the busiest and loud places that require maximum acoustic insulation into a perfect living space.

Natural Ventilation

Even the best-insulated homes require special measures to provide sufficient ventilation. Zendow System is also fully compatible with a natural ventilation system that reduces the risks of odor allergies, CO poisoning, condensation and mold growth.

Additional Security

Zendow System is reinforced with galvanized steel that provides high security against incidents of theft. The system is also compatible with all security types hardware.

Respect to Environment

Zendow System's doors and windows distinguish themselves by generating a healthier environment with high insulation rates as well as features such as long life-span, low maintenance requirement and 100% recyclability and process ability at the end of its expected life.

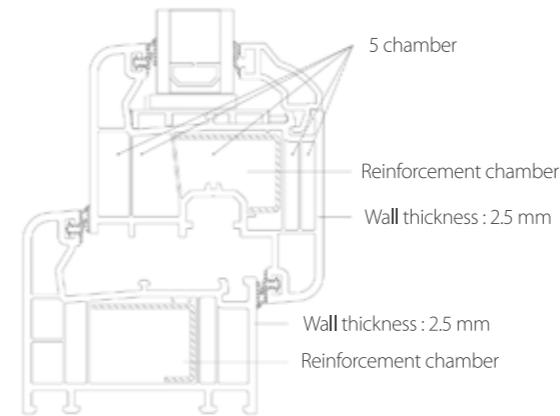


Different Houses, Different Lives and Different Expectations... There is Always a Different Zendow Option for Everyone.



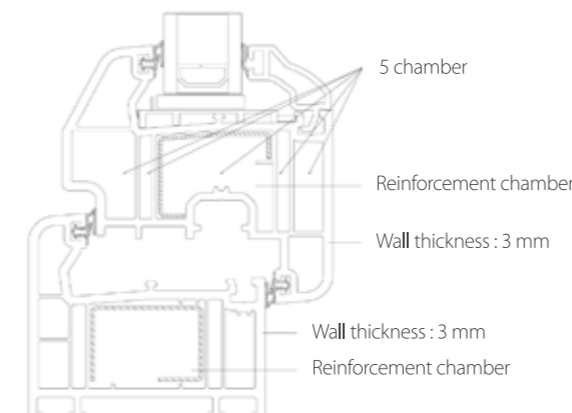
Zendow

Is a B class profile system that is compliant with TS 5358-EN 12608 standards. Upper and lower wall thickness is 2,5 mm and sidewall thickness is 2 mm. Main profiles are L-41 frame, T40 transom, Z-58 sash, 75 mm outward opening door sash and Top Frame profiles. Glazing beads and other parts are compatible one on one with all Zendow System.



Zendow Plus

Is an A class profile system that is compliant with TS 5358-EN 12608 standards. Lower-upper wall thickness is 3 mm and sidewall thickness is 2.5 mm. Main profiles are L-44 frame, transom, static transom, recess sash profile and door sash. Glazing beads and other parts are compatible one on one with all Zendow System.



Zendow Deluxe

Is a B class profile system that is compliant with TS 5358-EN 12608 standards. It has a perfect performance in terms of heat insulation with its 5-chamber design and its width of 70 mm. Upper and lower wall thickness is 2.8 mm and sidewall thickness is 2.2 mm.

As a result of the tests carried out in IFT – Rosenheim heat transmission coefficient is 1.4 – 1.5 W/m2K.

